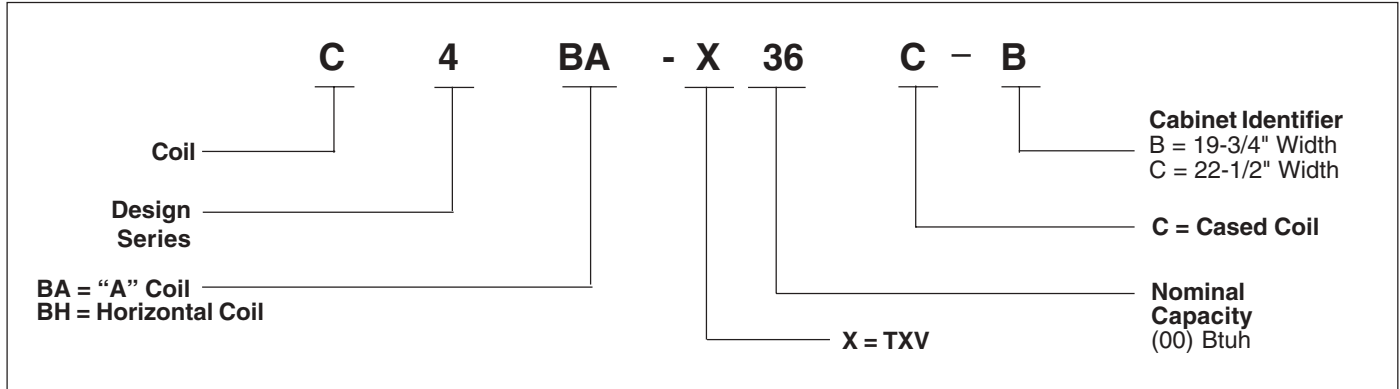
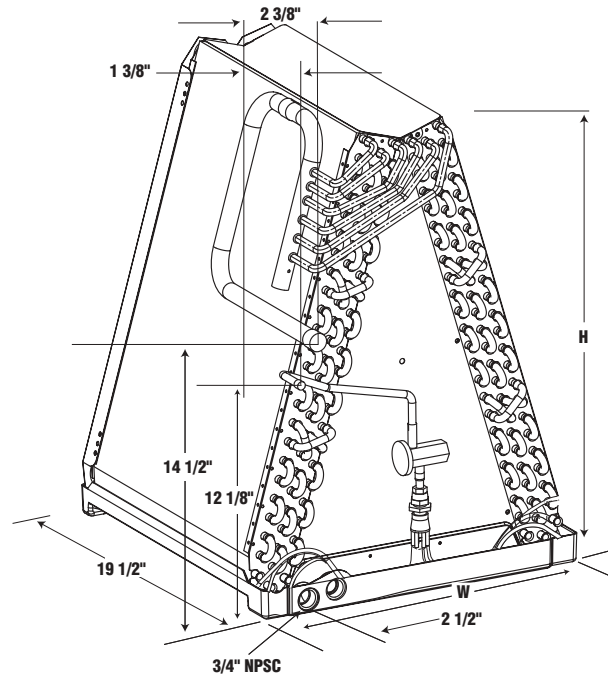


C4 Residential R-410A Indoor Coils with TXV

MODEL IDENTIFICATION CODE



"A" Coil



COIL DATA TABLES

Model C4BA and C4BH		X24-B	X36-B	X48-C	X60-C
Face Area (ft ^2)		4.18	5.58	6.42	6.42
Rows		3	3	3	3
Fins per inch		12	12	12	12
Refrigerant Flow Control		TXV	TXV	TXV	TXV
Nominal Airflow (cfm)		800	1200	1500	1800
Pressure drop at nominal airflow (in w.c.)		0.12	0.21	0.30	0.30
Dimensions:	W(width)	18 1/8	18 1/8	21 1/16	21 1/16
	H (height)	19	25	28	28
Connections:	Liquid Line	3/8	3/8	3/8	3/8
	Suction Line	3/4	7/8	7/8	7/8
Horizontal Kit		917492	914634	917188	917188

COIL DATA TABLES (continued)

C4 Series Cased Coil Dimensions

Cabinet Identifier		Overall		Top Opening	Bottom Opening	Horizontal Drain Pan Extension
		W	H	A	B	C
B	X24	19 3/4"	26	18 3/8"	11	N/A
B	X36	19 3/4"	26	18 3/8"	11	3 1/2"
C	X48	22 1/2"	29	21 1/8"	14	4 1/2"
C	X60	22 1/2"	29	21 1/8"	14	4 1/2"

See Figure 1.

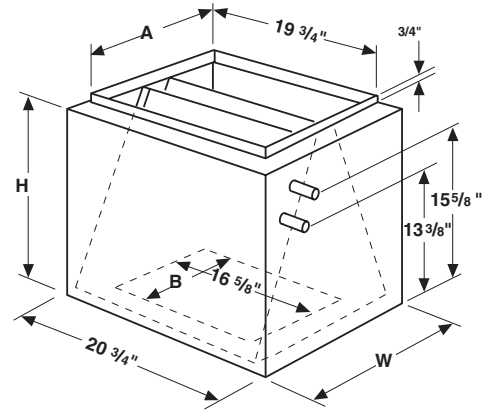


Figure 1. C4BA Cased Coil

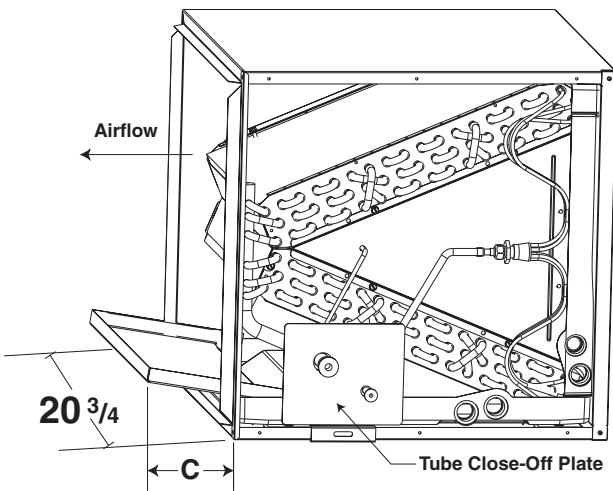


Figure 2. C4BH Horizontal Left Configuration with Drain Pan Extension.

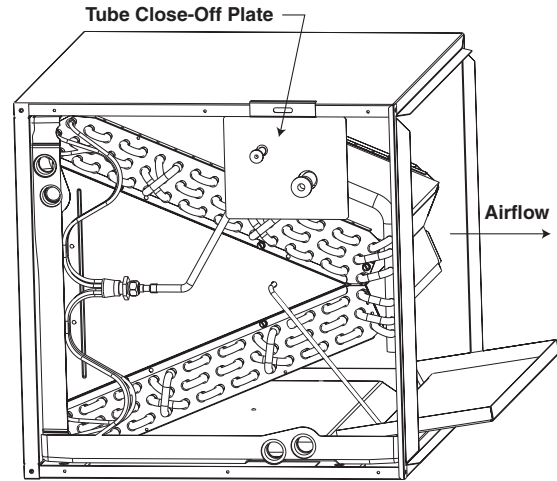


Figure 3. C4BH Horizontal Right Configuration with Drain Pan Extension.

Drain Pan—Bottom View

Dimension	"B" Cabinet 24, 36	"C" Cabinet 48, 60
W	18 1/8"	21 1/16"
B	11"	14"

See Figure 4.

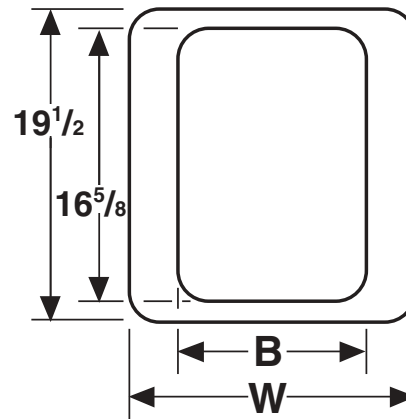


Figure 4. Drain Pan Dimensions



CERTIFICATION APPLIES ONLY
WHEN THE COMPLETE
SYSTEM IS LISTED
WITH ARI



We Encourage
Professionalism



Through Technician
Certification by NATE

481B-0404 (Replaces 481B-0803)

Specifications and illustrations subject to change without notice
and without incurring obligations. Printed in U.S.A. (04/04)