

## PTAC/PTHP High Efficiency Series

2005  
*Packaged Terminal Air-Conditioner/Heat Pump*



### **PERFORMANCE:**

Efficiency ratings up to 12.7 EER  
Cooling capacities from 7,000 to 15,000 BTUH  
Rated in accordance with DOE test standards  
ARI performance certified, UL and C-UL certified  
115, 208/230, 265 Volt models available

### **FEATURES:**

Sound reducing compressor blankets on all models  
Electronic Self-Diagnostics  
Adaptable style with new center mounted touch pad controls with digital display and infra-red remote for easy access  
Tangential blower wheel for quiet operation  
2 Motor Design for quiet operation & economical performance  
Solid-State electronic controls for greater accuracy and reliability  
Universal heater for various applications  
Multi-Speed Fan Settings  
Continuous / Cycle Fan  
Room Freeze Protection guards against low temperature conditions and pipe damage  
Full line of owner defined controls  
Multi-Directional discharge grilles  
Easy Access / Easy-to-Clean Filter  
Easy Slide-In 16" x 42" replacement chassis fits competitive sleeves  
Corrosion Resistant Coils  
Full line of accessories  
Easy installation & flexibility of design

# PTAC/PTHP High Efficiency Series

PERFORMANCE AND ELECTRICAL DATA									
208/230 VOLTS, 60 HERTZ, 1 PHASE COOLING & ELECTRICAL HEATING MODELS									
	A6PTAC07UW7A		A6PTAC09UW7A		A6PTAC12UW7A		A6PTAC15UW7A		
NOMINAL CAPACITY	7K		9K		12K		15K		
<b>PERFORMANCE DATA</b>									
Cooling BTUH	7,000	7,100	9,000	9,100	11,900	12,000	14,800	15,000	
EER (BTU/Watts)	12.7	12.7	11.5	11.5	11.1	11.1	10.2	10.2	
Heating BTUH	--	--	--	--	--	--	--	--	
COP	--	--	--	--	--	--	--	--	
Dehumidification Pts/Hr	TBD	TBD	TBD	TBD	TBD	TBD	TBD	TBD	
Sensible Heat Ratio	TBD	TBD	TBD	TBD	TBD	TBD	TBD	TBD	
R-22 Charge	TBD	TBD	TBD	TBD	TBD	TBD	TBD	TBD	
<b>ELECTRICAL DATA</b>									
Voltage	208 / 230		208 / 230		208 / 230		208 / 230		
Voltage Range / Min, Max	197 / 253		197 / 253		197 / 253		197 / 253		
Amps	TBD	TBD	TBD	TBD	TBD	TBD	TBD	TBD	
Watts	TBD	TBD	TBD	TBD	TBD	TBD	TBD	TBD	
Amps F.L	TBD	TBD	TBD	TBD	TBD	TBD	TBD	TBD	
Amps L.R	TBD	TBD	TBD	TBD	TBD	TBD	TBD	TBD	
<b>AIRFLOW DATA</b>									
CFM, Indoor Fan High	TBD	TBD	TBD	TBD	TBD	TBD	TBD	TBD	
CFM, Indoor Fan Low	TBD	TBD	TBD	TBD	TBD	TBD	TBD	TBD	
Vent CFM	65	65	65	65	70	70	70	70	
<b>PHYSICAL DATA</b>									
Dimensions	16Hx42Wx13%D	16Hx42Wx13%D	16Hx42Wx13%D	16Hx42Wx13%D	16Hx42Wx13%D	16Hx42Wx13%D	16Hx42Wx13%D	16Hx42Wx13%D	16Hx42Wx13%D
Net / Shipping Weight	TBD	TBD	TBD	TBD	TBD	TBD	TBD	TBD	TBD
Loadability - 40'HC, 40'	TBD	TBD	TBD	TBD	TBD	TBD	TBD	TBD	TBD
<b>208/230 VOLTS, 60 HERTZ, 1 PHAST HEAT PUMP MODELS</b>									
	A6PTHP07UW7A		A6PTHP09UW7A		A6PTHP12UW7A		A6PTHP15UW7A		
NOMINAL CAPACITY	7K		9K		12K		15K		
<b>PERFORMANCE DATA</b>									
Cooling BTUH	7,000	7,100	9,000	9,100	11,900	12,000	14,800	15,000	
EER (BTU/Watts)	12.7	12.7	11.5	11.5	11.1	11.1	10.2	10.2	
Heating BTUH	6,300	6,300	7,900	7,900	11,000	11,000	13,500	14,100	
COP	3.4	3.4	3.2	3.2	3.2	3.2	3.1	3.1	
Dehumidification Pts/Hr	TBD	TBD	TBD	TBD	TBD	TBD	TBD	TBD	
Sensible Heat Ratio	TBD	TBD	TBD	TBD	TBD	TBD	TBD	TBD	
R-22 Charge	TBD	TBD	TBD	TBD	TBD	TBD	TBD	TBD	
<b>ELECTRICAL DATA</b>									
Voltage	208 / 230		208 / 230		208 / 230		208 / 230		
Voltage Range / Min, Max	197 / 253		197 / 253		197 / 253		197 / 253		
Amps	TBD	TBD	TBD	TBD	TBD	TBD	TBD	TBD	
Watts	TBD	TBD	TBD	TBD	TBD	TBD	TBD	TBD	
Amps F.L	TBD	TBD	TBD	TBD	TBD	TBD	TBD	TBD	
Amps L.R	TBD	TBD	TBD	TBD	TBD	TBD	TBD	TBD	
<b>AIRFLOW DATA</b>									
CFM, Indoor Fan High	TBD	TBD	TBD	TBD	TBD	TBD	TBD	TBD	
CFM, Indoor Fan Low	TBD	TBD	TBD	TBD	TBD	TBD	TBD	TBD	
Vent CFM	65	65	65	65	70	70	70	70	
<b>PHYSICAL DATA</b>									
Dimensions	16Hx42Wx13%D	16Hx42Wx13%D	16Hx42Wx13%D	16Hx42Wx13%D	16Hx42Wx13%D	16Hx42Wx13%D	16Hx42Wx13%D	16Hx42Wx13%D	16Hx42Wx13%D
Net / Shipping Weight	TBD	TBD	TBD	TBD	TBD	TBD	TBD	TBD	TBD
Loadability - 40'HC, 40'	TBD	TBD	TBD	TBD	TBD	TBD	TBD	TBD	TBD

# PTAC/PTHP High Efficiency Series

PERFORMANCE AND ELECTRICAL DATA				
265 VOLTS, 60 HERTZ COOLING & ELECTRICAL HEATING MODELS				
	A6PTAC07UW9A	A6PTAC09UW9A	A6PTAC12UW9A	A6PTAC16UW9A
NOMINAL CAPACITY	7K	9K	12K	15K
<b>PERFORMANCE DATA</b>				
Cooling BTUH	7,100	9,100	12,000	15,000
EER (BTU/Watts)	12.7	11.5	11.1	10.2
Heating BTUH	--	--	--	--
COP	--	--	--	--
Dehumidification Pts/Hr	TBD	TBD	TBD	TBD
Sensible Heat Ratio	TBD	TBD	TBD	TBD
R-22 Charge	TBD	TBD	TBD	TBD
<b>ELECTRICAL DATA</b>				
Voltage	265	265	265	265
Voltage Range / Min, Max	239 / 292	239 / 292	239 / 292	239 / 292
Amps	TBD	TBD	TBD	TBD
Watts	TBD	TBD	TBD	TBD
Amps F.L	TBD	TBD	TBD	TBD
Amps L.R	TBD	TBD	TBD	TBD
<b>AIRFLOW DATA</b>				
CFM, Indoor Fan High	TBD	TBD	TBD	TBD
CFM, Indoor Fan Low	TBD	TBD	TBD	TBD
Vent CFM	65	65	70	70
<b>PHYSICAL DATA</b>				
Dimensions	16Hx42Wx13%D	16Hx42Wx13%D	16Hx42Wx13%D	16Hx42Wx13%D
Net / Shipping Weight	TBD	TBD	TBD	TBD
Loadability - 40'HC, 40'	TBD	TBD	TBD	TBD
<b>265 VOLTS, 60 HERTZ HEAT PUMP MODELS</b>				
	A6PTHP07UW9A	A6PTHP09UW9A	A6PTHP12UW9A	A6PTHP15UW9A
NOMINAL CAPACITY	7K	9K	12K	15K
<b>PERFORMANCE DATA</b>				
Cooling BTUH	7,100	9,100	12,000	14,800
EER (BTU/Watts)	12.7	11.5	11.1	10.2
Heating BTUH	6,300	7,900	11,000	14,100
COP	3.4	3.2	3.2	3.1
Dehumidification Pts/Hr	TBD	TBD	TBD	TBD
Sensible Heat Ratio	TBD	TBD	TBD	TBD
R-22 Charge	TBD	TBD	TBD	TBD
<b>ELECTRICAL DATA</b>				
Voltage	265	265	265	265
Voltage Range / Min, Max	239 / 292	239 / 292	239 / 292	239 / 292
Amps	TBD	TBD	TBD	TBD
Watts	TBD	TBD	TBD	TBD
Amps F.L	TBD	TBD	TBD	TBD
Amps L.R	TBD	TBD	TBD	TBD
<b>AIRFLOW DATA</b>				
CFM, Indoor Fan High	TBD	TBD	TBD	TBD
CFM, Indoor Fan Low	TBD	TBD	TBD	TBD
Vent CFM	65	65	70	70
<b>PHYSICAL DATA</b>				
Dimensions	16Hx42Wx13%D	16Hx42Wx13%D	16Hx42Wx13%D	16Hx42Wx13%D
Net / Shipping Weight	TBD	TBD	TBD	TBD
Loadability - 40'HC, 40'	TBD	TBD	TBD	TBD

**PERFORMANCE AND ELECTRICAL DATA**  
**115 VOLTS, 60 HERTZ, 1 PHASE COOLING MODELS**

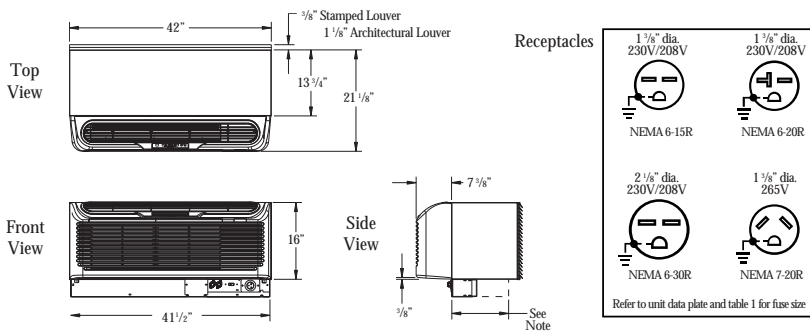
	A6PTAC09UW2A	A6PTAC12UW2A
<b>NOMINAL CAPACITY</b>	9K	12K
<b>PERFORMANCE DATA</b>		
Cooling BTUH	9,000	12,000
EER (BTU/Watts)	12.0	12.0
Heating BTUH	--	--
COP	--	--
Dehumidification Pts/Hr	2.6	3.6
Sensible Heat Ratio	TBD	TBD
R-22 Charge	TBD	TBD
<b>ELECTRICAL DATA</b>		
Voltage	115	115
Voltage Range / Min, Max	103 / 126	103 / 126
Amps	TBD	TBD
Watts	TBD	TBD
Amps F.L	TBD	TBD
Amps L.R	TBD	TBD
<b>AIRFLOW DATA</b>		
CFM, Indoor Fan High	TBD	TBD
CFM, Indoor Fan Low	TBD	TBD
Vent CFM	70	80
<b>PHYSICAL DATA</b>		
Dimensions	16Hx42Wx13½D	16Hx42Wx13½D
Net / Shipping Weight	TBD	TBD
Loadability - 40'HC, 40'	TBD	TBD

**UNIVERSAL HEATER TABLE**

VOLTAGES	HEATER AMPS	HEATER DESIGNATION	WATTS	KWH	MINIMUM AMPACITY	BTUH
208 / 230	10.0 / 11.1	2	2090 / 2550	2.009 / 2.55	15	7,100 / 8,600
208 / 230	13.6 / 15.0	3	2820 / 3450	2.82 / 3.45	20	9,600 / 11,700
208 / 230	19.7 / 21.7	5	4090 / 5000	4.09 / 5.00	30	7,100 / 8,600
265	11.3	3	3,000	3.0	15	10,200
265	15.1	4	4,000	4.0	20	13,600
265	18.9	5	5,000	5.0	30	17,000

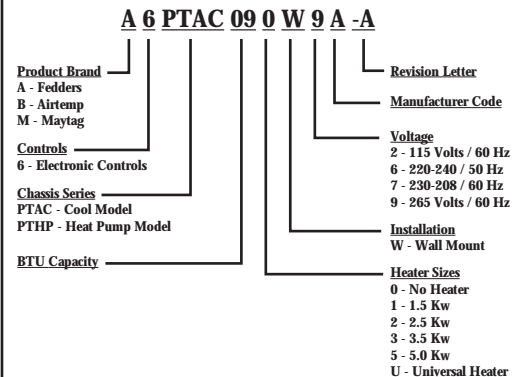
**SOLD SEPERATELY**

Sleeve
Power Cord
Sub-bases
Rear Grilles
Misc. Accessories

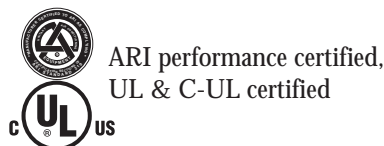


Note: Unit pictured with subbase installed.  
 Subbase is optional on 208/230V units, but required on all 265V units.

**MODEL KEY:**



Fedders Unitary Products  
 505 Martinsville Rd.  
 Liberty Corner, NJ 07938  
 (908) 604-8686  
 Form No. F-PTAC-0804



All product specifications reflect available information at the printing of this brochure. Fedders reserves the right to revise or modify products and/or specifications without notice.  
 ©2004 Fedders Unitary Products. Fedders is a registered trademark of Fedders North America, Inc.